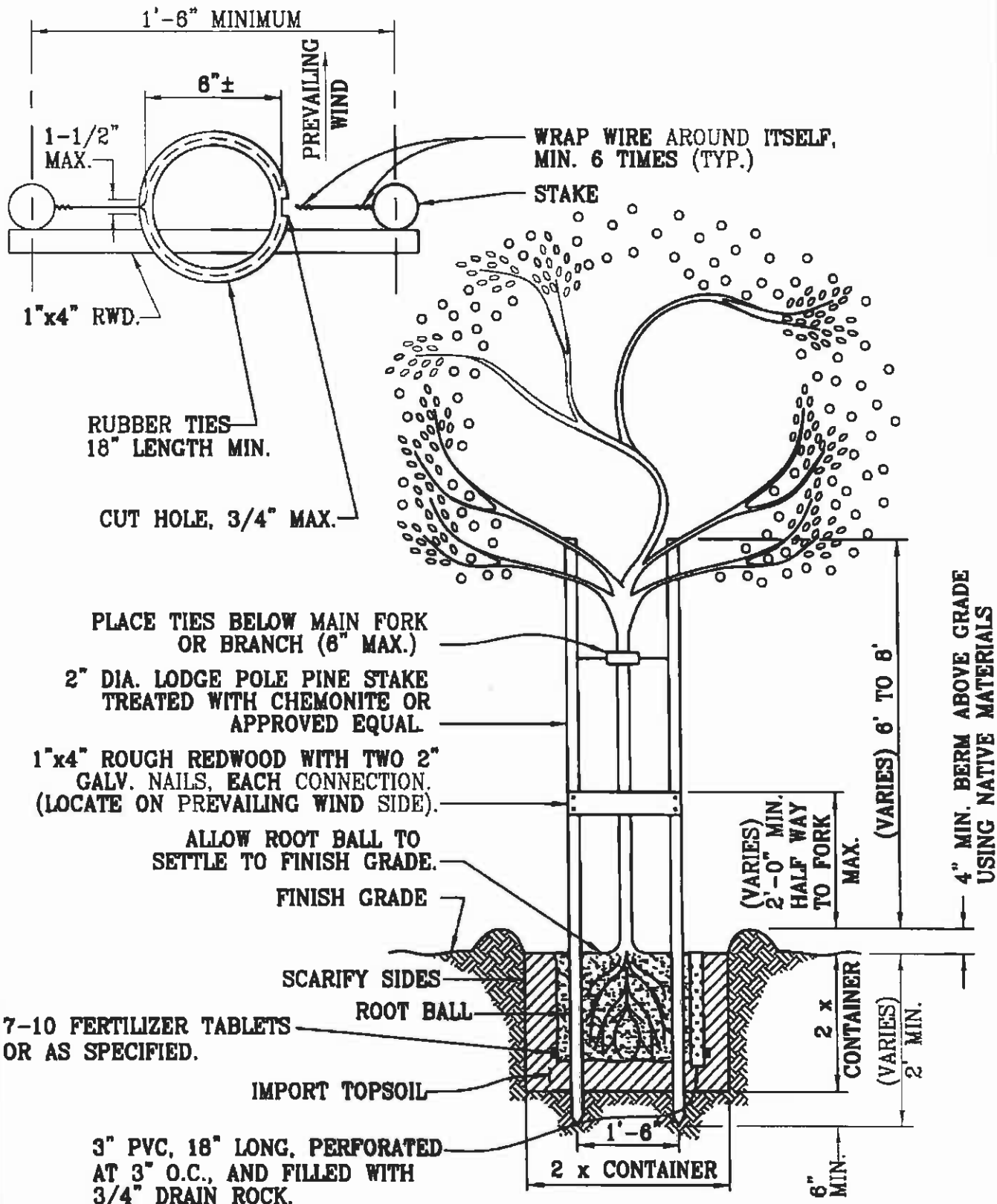


L – Series
(Landscaping)

FRI, SEP 05, 2008 01:22 P BJB L1 Z:\CLAYTON STANDARDS\DWG\2008 UPDATES\L-01.DWG



CITY OF CLAYTON
Founded 1857 ... Incorporated 1964

TREE PLANTING & STAKING

SHEET
1 OF 1

DATE: AUGUST, 2008

SCALE: NONE

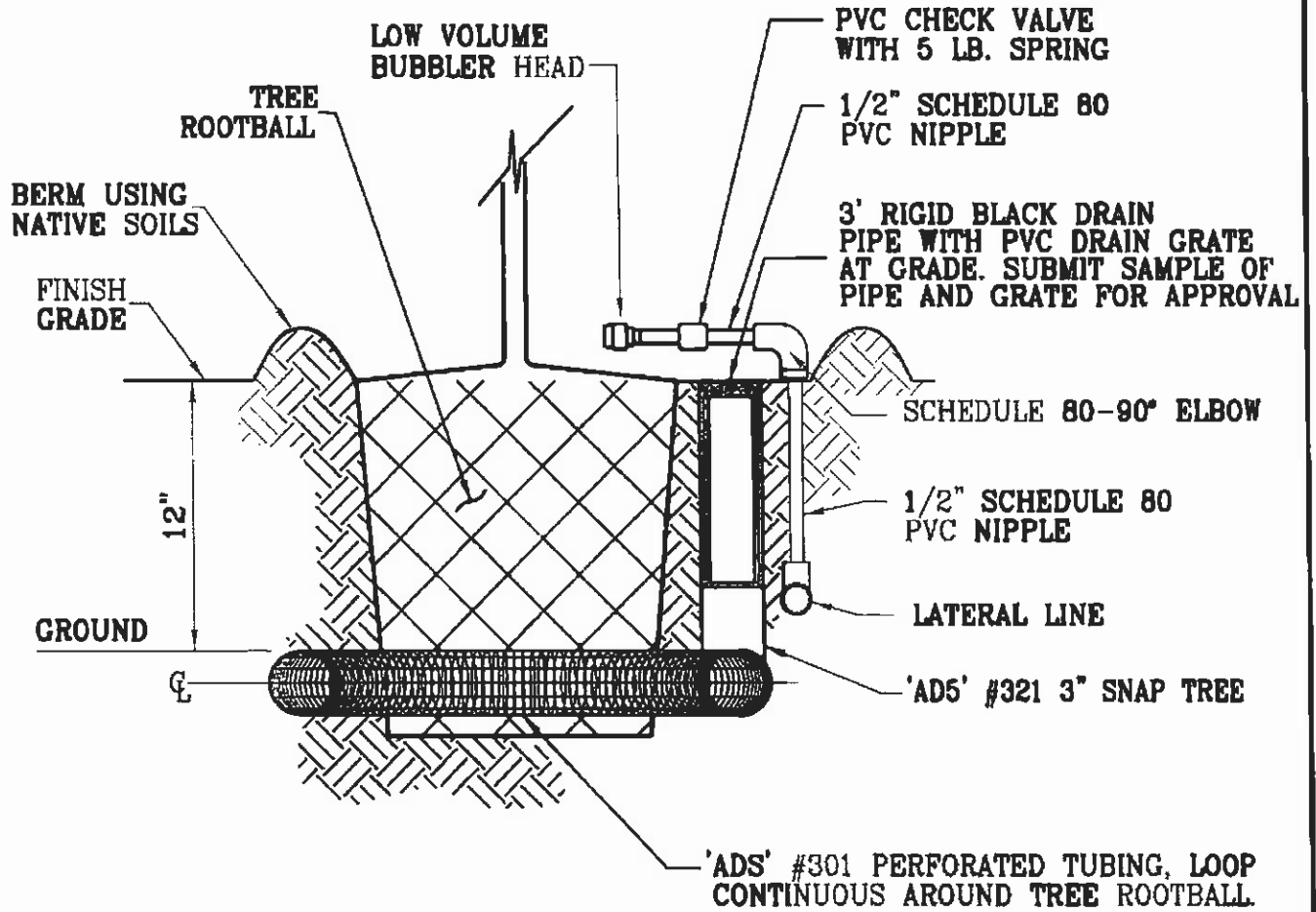
PAGE

APPROVED:

CITY ENGINEER

L-1

FRI, SEP 05, 2008 01:38 P BJB L-2 Z:\CLAYTON STANDARDS\DWG\2008 UPDATES\L-2-02.DWG



NOTE:
 ALL TREES TO HAVE INSTALLED
 PANEL TYPE ROOT BARRIERS

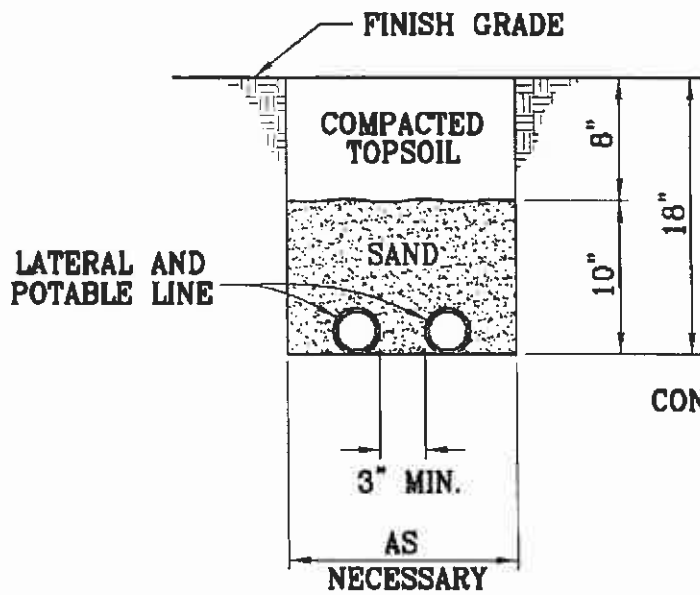
CITY OF CLAYTON
 Founded 1857 ...Incorporated 1964

TREE BUBBLER WITH PERFORATED "RING"

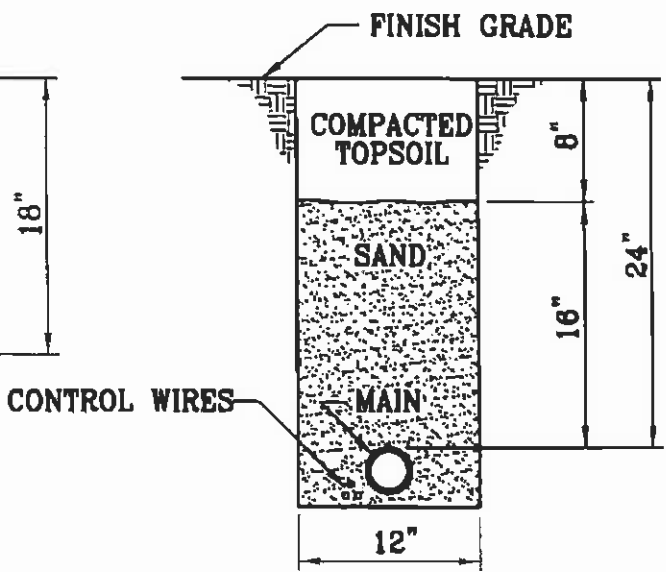
DATE: AUGUST, 2008 SCALE: NONE
 APPROVED: *[Signature]* CITY ENGINEER

SHEET
1 OF 1
 PAGE
L-2

Z:\CLAYTON STANDARDS\DWG\2008 UPDATES\1-03.DWG
 FRI, SEP 05, 2008 01:40 P BJB L3

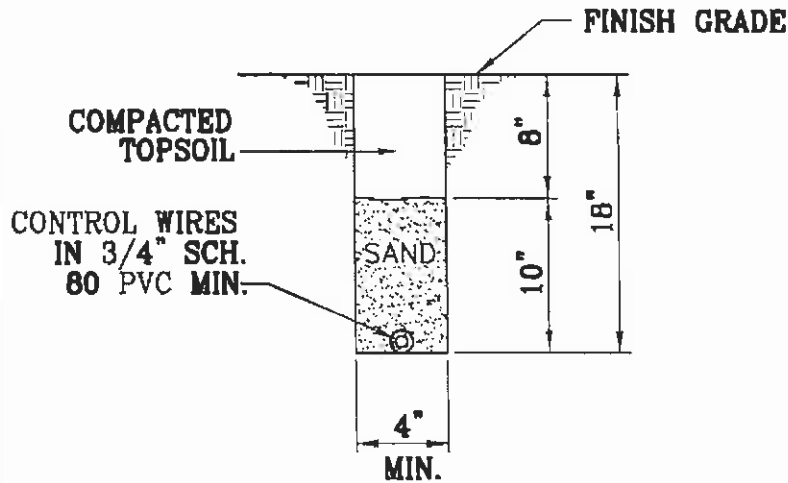


LATERAL LINE & POTABLE LINE

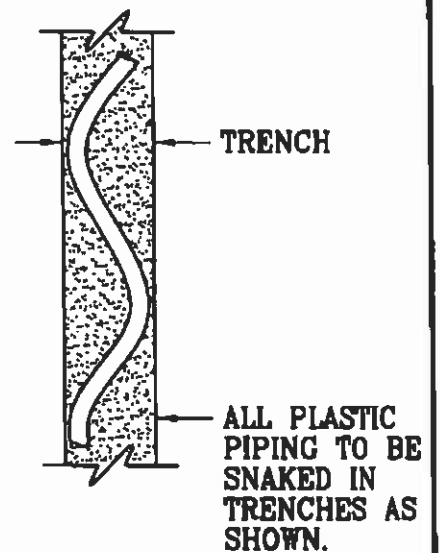


MAIN & CONDUCTORS

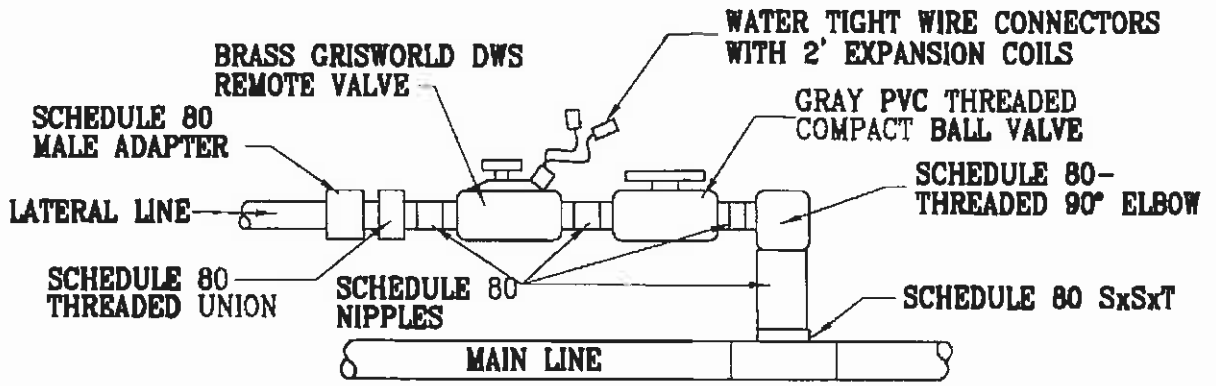
NOTE: TIE WIRING AT 10-FOOT INTERVALS.



CONDUCTORS ONLY

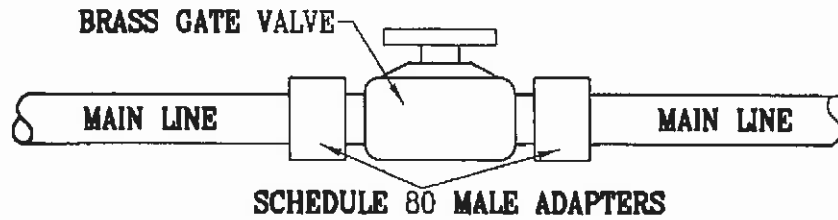


	IRRIGATION TRENCH		SHEET 1 OF 1
	DATE: AUGUST, 2008	SCALE: NONE	PAGE
	APPROVED:	CITY ENGINEER	L-3

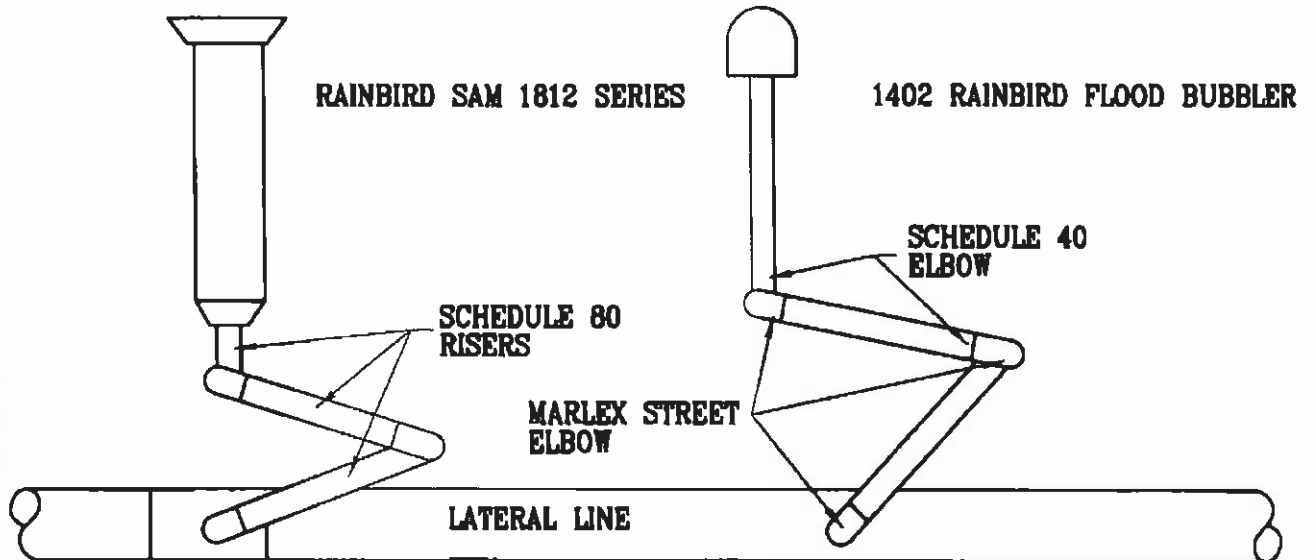


WIRES LOCATED 2" UNDER MAIN LINE NOTE: SEE L-7 FOR BOX INSTALLATION

TYPICAL CONTROL VALVE INSTALLATION



TYPICAL GATE VALVE INSTALLATION



TYPICAL SPRINKLER INSTALLATION

FRI, SEP 05, 2008 01:42 P B.B L3 Z:\CLAYTON STANDARDS\DWG\2008 UPDATES\L-04.DWG



IRRIGATION VALVES AND SPRINKLERS

SHEET
1 OF 1

DATE: AUGUST, 2008

SCALE: NONE

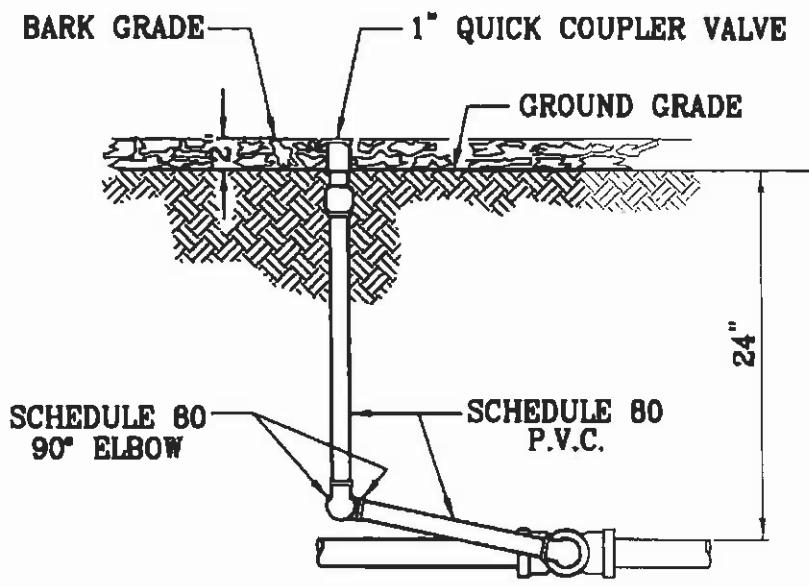
PAGE

APPROVED: *[Signature]*

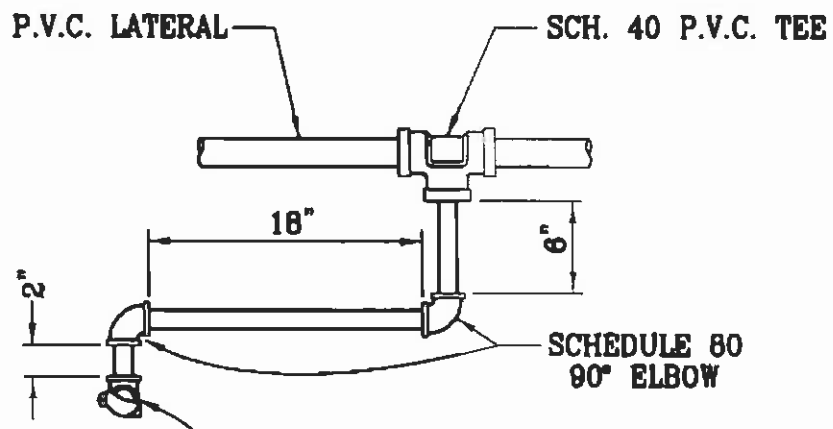
CITY ENGINEER

L-4

FRI, SEP 05, 2008 02:01 P BJB L5 Z:\CLAYTON STANDARDS\DWG\2008 UPDATES\L\L-05.DWG



SIDE VIEW



1" QUICK COUPLER "RAINBIRD"
44 L.V.C. OR APPROVED EQUAL

PLAN VIEW

	QUICK COUPLING VALVE		SHEET 1 OF 1
	DATE: AUGUST, 2008	SCALE: NONE	PAGE
	APPROVED:	CITY ENGINEER	L-5

***NOTE: FLOW SENSOR MUST BE INSTALLED WITH INSERT (TOP) POSITIONED VERTICALLY AND BODY (TEE) POSITIONED HORIZONTALLY.**

***NOTE: FLOW SENSOR CABLE MUST BE RUN IN 1" PVC CONDUIT FROM FLOW SENSOR TO CONTROLLER ENCLOSURE.**

LASCO REDUCING COUPLINGS ARE AVAILABLE IN THE FOLLOWING SIZES AND PART NUMBERS:

- 429-585 8" x 6"
- 429-532 6" x 4"
- 429-422 4" x 3"
- 429-338 3" x 2"
- 429-251 2" x 1 1/2"
- 429-212 1 1/2" x 1 1/4"
- 429-166 1 1/4" x 1"

TWO #20 FOIL SHIELD WITH DRAIN, BLACK JACKET, DIRECT BURIAL BLACK, WHITE, ALLOW 2' OF EXTRA CABLE, (EV-CAB-SEN)

14" x 19" PLASTIC VALVE BOX WITH EXTENSIONS IF NEEDED AND LOCKING COVER

1" IN TURF AREAS
2" IN SHRUB AREAS

FINISH GRADE

EXTENSION (IF NEEDED)

VALVE BOX (14" x 19") OR LARGER

FITTING OR REDUCING COUPLING AT DISTANCE EQUAL TO 5x PIPE DIAMETER FROM FLOW SENSOR.

FLOW DOWNSTREAM

6" DEEP 3/4" PEA GRAVEL SUMP

EX: 10 x 2" PIPE=20" EX: 5 x 2" PIPE=10"

(+) WHITE (-) BLACK (-)

WATERPROOF CONNECTIONS TO SENSOR CABLE HOOKUP *NOTE POLARITY ON SENSOR

(+) RED (-) BLACK (-)

FLOW SENSOR INSERT

FLOW SENSOR BODY 10x PIPE DIA.

FLOW SENSOR 5x PIPE DIA.

FITTING OR REDUCING COUPLING AT DISTANCE EQUAL TO 10x PIPE DIAMETER FROM FLOW SENSOR.

MASTER VALVE, DOWN STREAM FROM BACKFLOW

MASTER VALVE / FLOW SENSOR

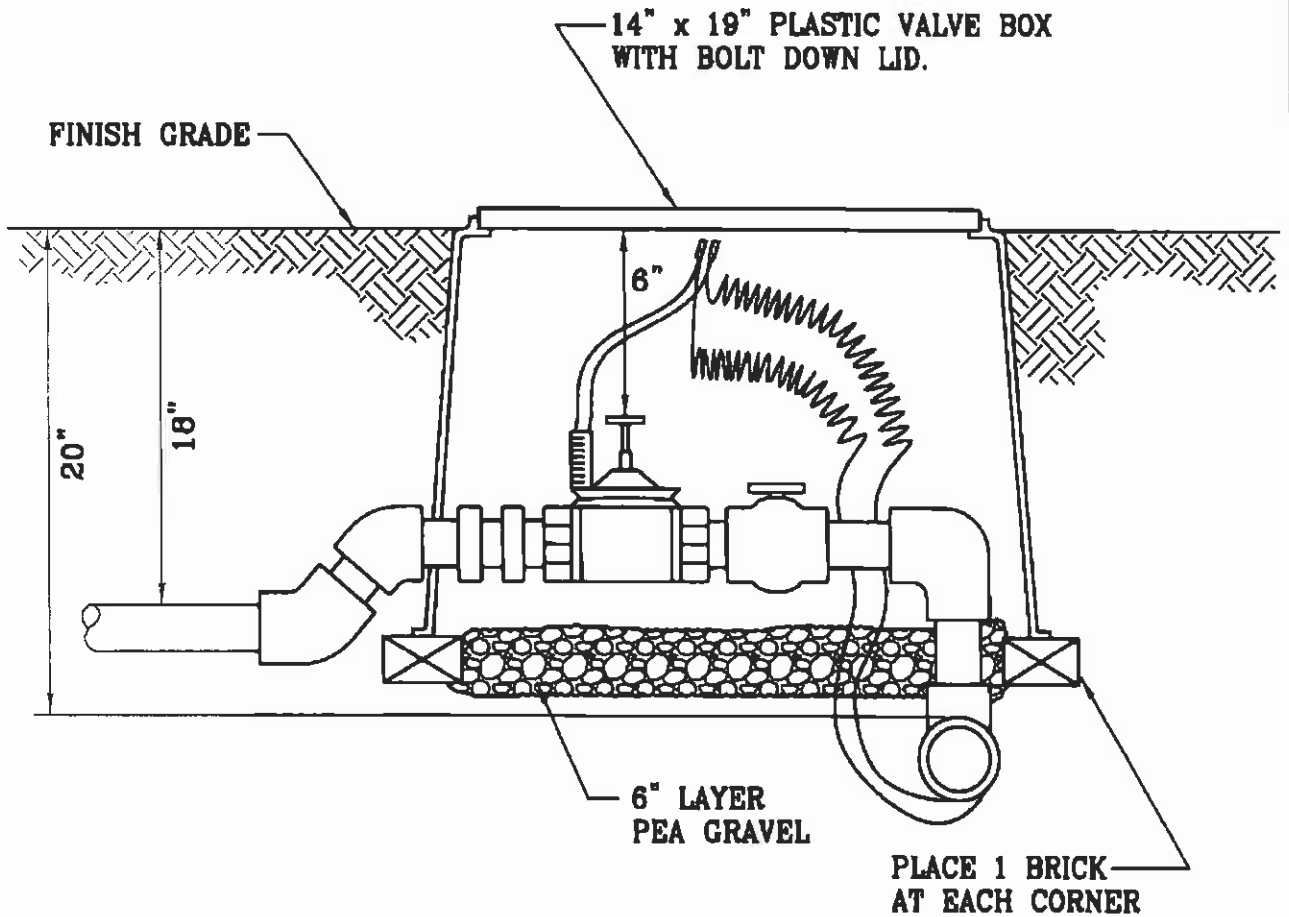


MASTER VALVE AND FLOW SENSOR

DATE: AUGUST, 2008 SCALE: NONE
 APPROVED: *[Signature]* CITY ENGINEER

SHEET 1 OF 1
 PAGE L-6

TUE, SEP 09, 2008 07:13 A BAB L-7 Z:\CLAYTON STANDARDS\DWG\2008 UPDATES\L-07.DWG



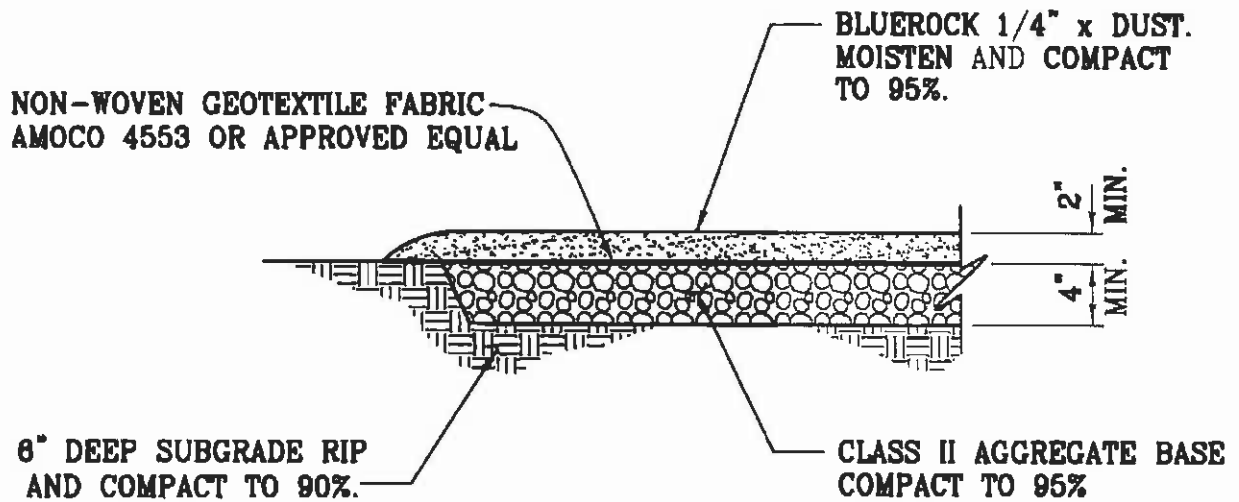
TYPICAL VALVE BOX INSTALLATION

SHEET
1 OF 1
PAGE
L-7

DATE: AUGUST, 2008 SCALE: NONE

APPROVED: *[Signature]* CITY ENGINEER

MON, SEP 08, 2008 07:06 A BJB L-8 Z:\CLAYTON STANDARDS\DWG\2008 UPDATES\L-08.DWG



SEE L-9 FOR HEADERBOARD AND
STAKING WHEN SPECIFIED.



HIKING TRAIL

SHEET
1 OF 1

DATE: AUGUST, 2008

SCALE: NONE

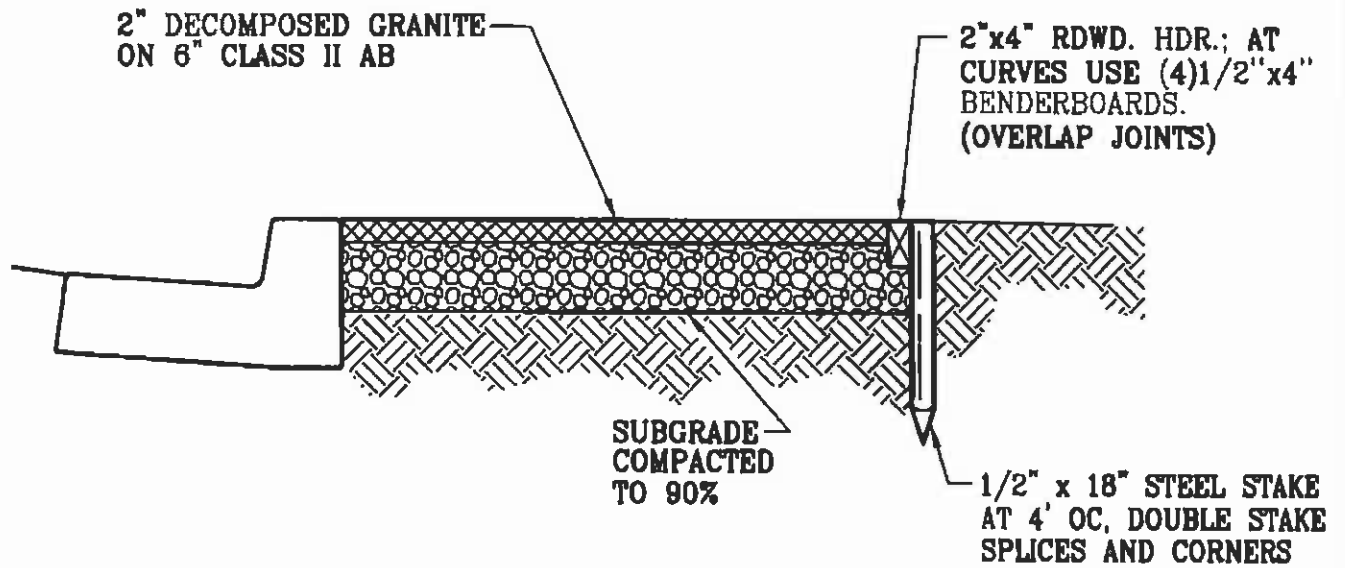
PAGE

APPROVED:

CITY ENGINEER

L-8

TUE, SEP 09, 2008 07:15 A B.B.B L-9 Z:\CLAYTON STANDARDS\DWG\2008 UPDATES\L-09.DWG



NOTE:
DECOMPOSED GRANITE AND AGGREGATE
BASE ROCK TO BE COMPACTED TO 95%



DECOMPOSED GRANITE PATH

SHEET
1 OF 1

DATE: AUGUST, 2008

SCALE: NONE

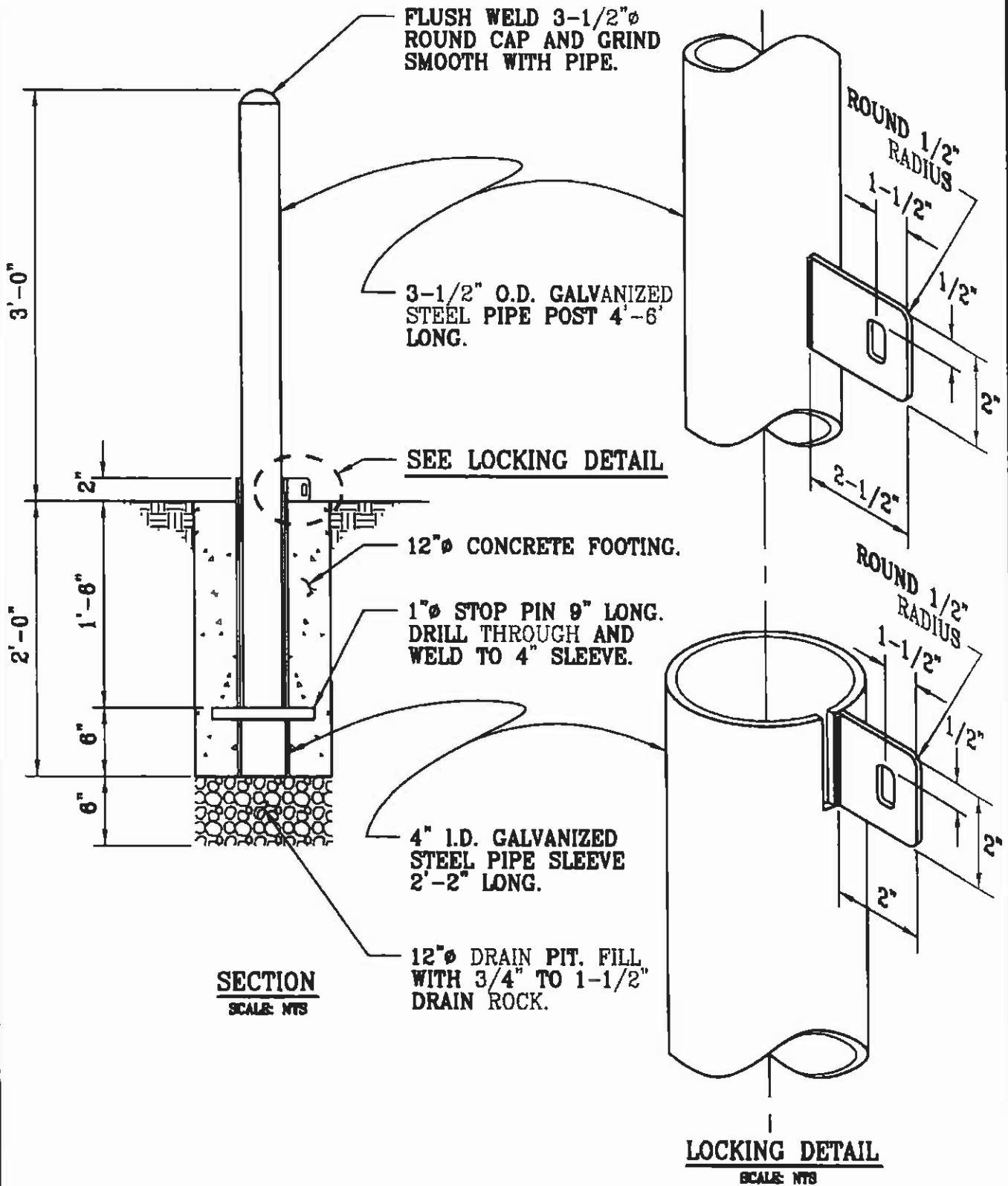
PAGE

APPROVED:

CITY ENGINEER

L-9

MON, SEP 08, 2008 07:16 A B.B L10 Z:\CLAYTON STANDARDS\DWG\2008 UPDATES\L-10.DWG



REMOVABLE METAL BOLLARD

SHEET
1 OF 1

DATE: AUGUST, 2008

SCALE: NONE

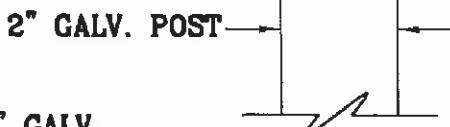
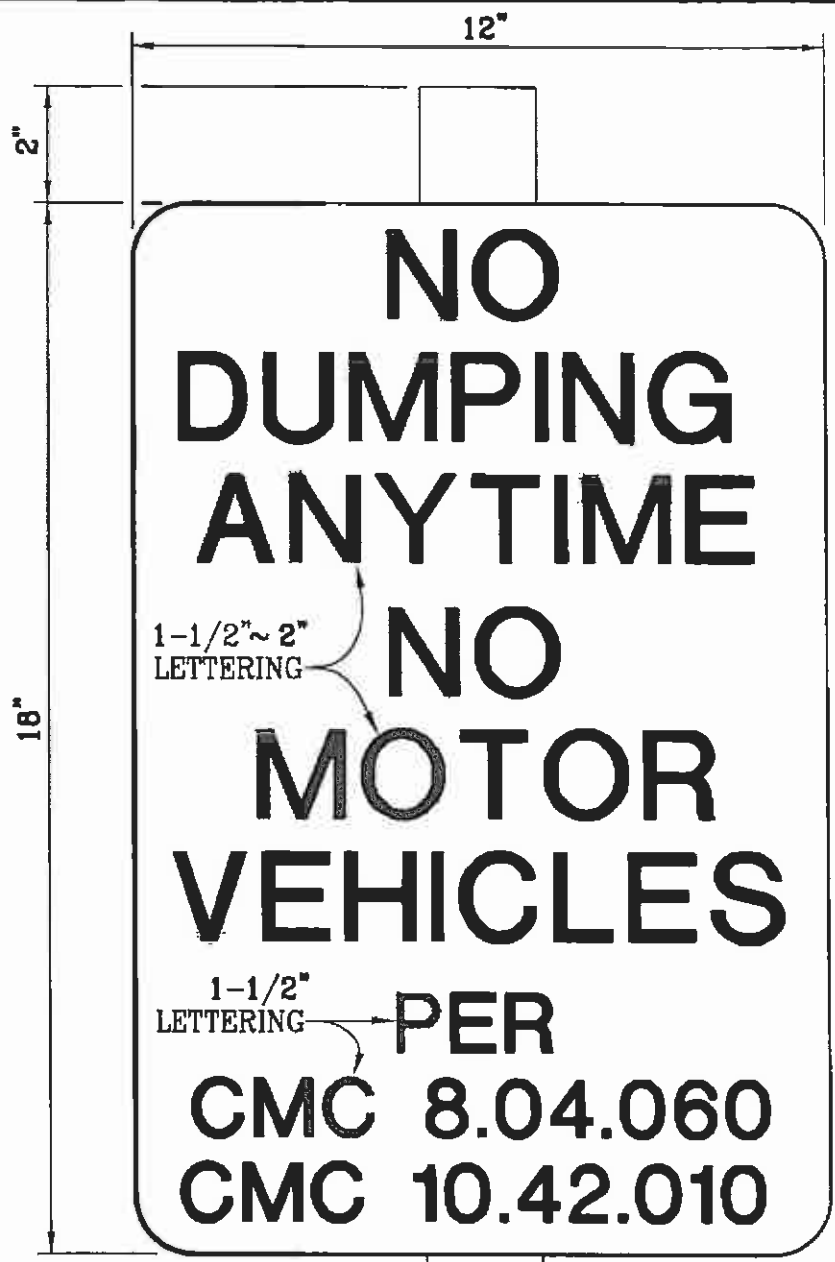
PAGE

APPROVED: *[Signature]*

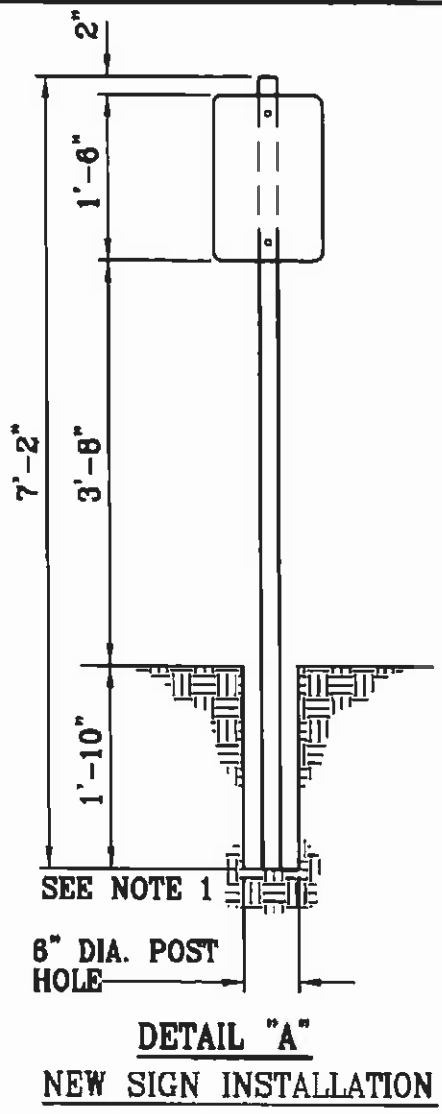
CITY ENGINEER

L-10

MON, SEP 08, 2008 07:16 A BUB L-11 Z:\CLAYTON STANDARDS\DWG\2008 UPDATES\L-11.DWG


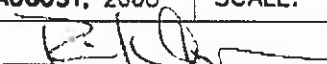


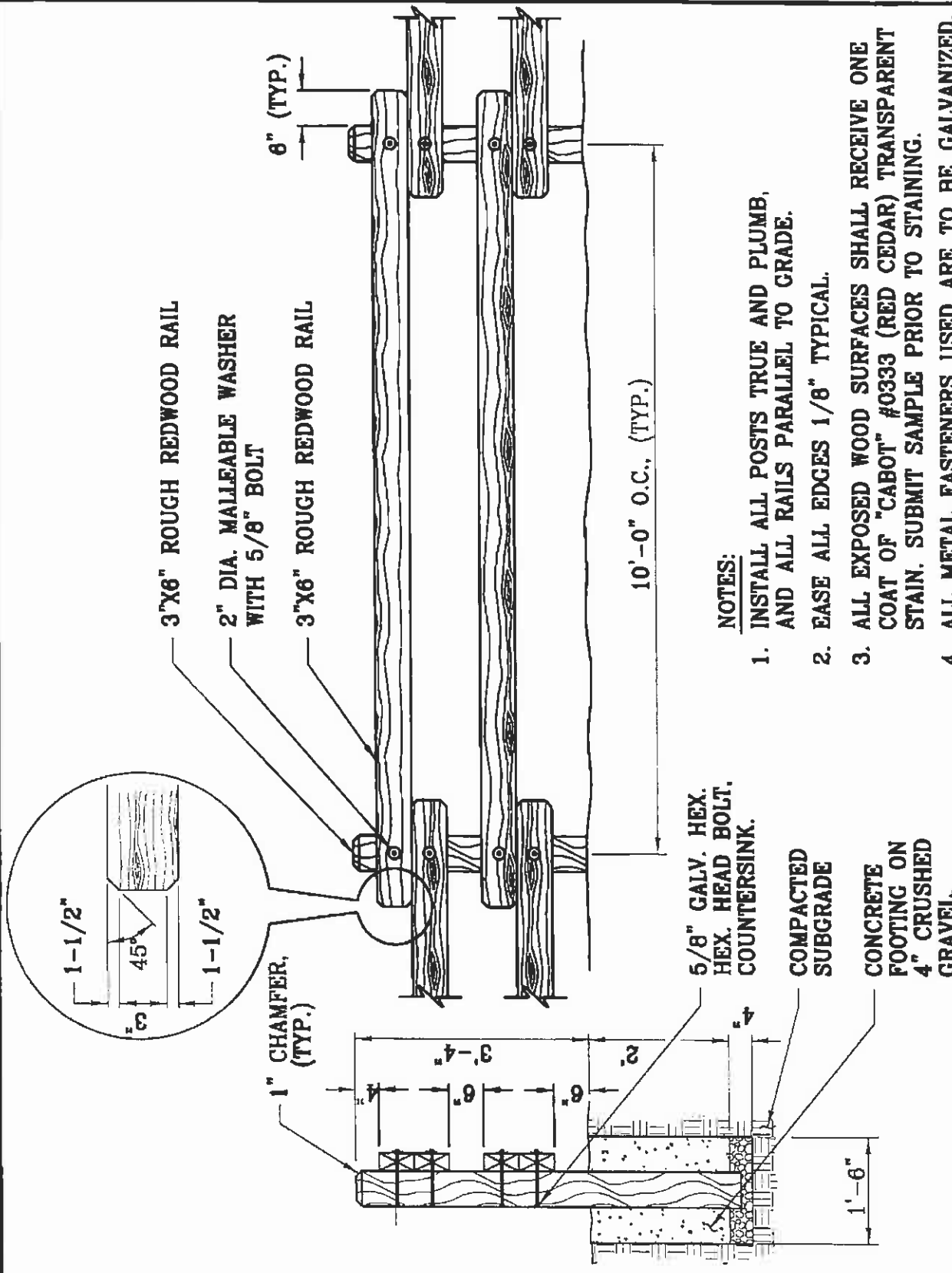
POST: 2" GALV.
 SIGN BLANK: STD. GRADE ALUMINUM 12" x 18"
 SIGN FACE SHEETING: ENGINEER GRADE-3M
 COLOR: WHITE REFLECTIVE BACKGROUND/BROWN LETTERS
 POST: 2" GALV.



NOTES:

- 1) FLATTEN POST END 3"
- 2) FILL POST HOLE 3" FROM SURFACE WITH POSTCRETE CONCRETE MIX. BACKFILL WITH SOIL.
- 3) 5/16" x 1/2" SECURITY BOLT FLAT WASHER; SIGN SADDLES OR 22-CLAMP SIGN ASSEMBLY.

 CITY OF CLAYTON <i>Founded 1857 ... Incorporated, 1964</i>	SIGN - NO DUMPING / NO MOTOR VEHICLES		SHEET 1 OF 1
	DATE: AUGUST, 2008	SCALE: NONE	PAGE
	APPROVED: 		CITY ENGINEER



NOTES:

1. INSTALL ALL POSTS TRUE AND PLUMB, AND ALL RAILS PARALLEL TO GRADE.
2. EASE ALL EDGES 1/8" TYPICAL.
3. ALL EXPOSED WOOD SURFACES SHALL RECEIVE ONE COAT OF "CABOT" #0333 (RED CEDAR) TRANSPARENT STAIN. SUBMIT SAMPLE PRIOR TO STAINING.
4. ALL METAL FASTENERS USED ARE TO BE GALVANIZED.

5/8" GALV. HEX. HEAD BOLT. COUNTERSINK.

COMPACTED SUBGRADE

CONCRETE FOOTING ON 4" CRUSHED GRAVEL.



SPLIT RAIL FENCE

DATE: AUGUST, 2008 SCALE: NONE
 APPROVED: *[Signature]* CITY ENGINEER

SHEET
1 OF 1
 PAGE
L-12